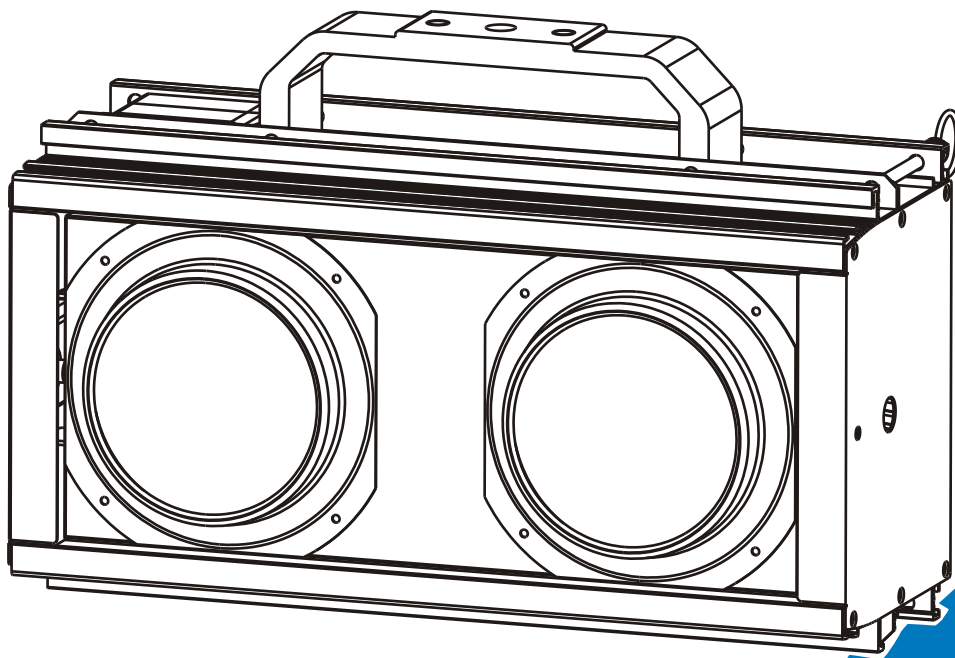




Stage Blinder IP

BL-200 WW
BL-200 CW



User Manual

Please read the instruction carefully before use

Menu

1. Safety Instructions	2
2. Technical Specifications	3
3. Installation and Connection	4
4. How to set the unit.....	5
4.1 Rear Panel.....	5
4.2 Main Function.....	6
5. How to control the unit	10
6. DMX512 configuration	11
7. DMX512 Connection.....	12
8.Troubleshooting.....	12
9. Fixture Cleaning.....	13

1. Safety Instructions



WARNING

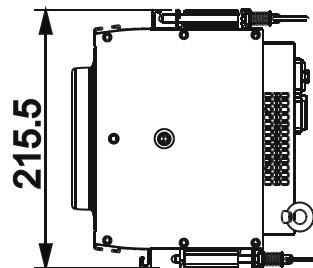
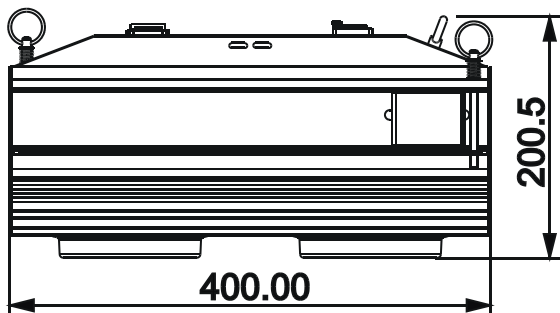
Please read the instruction carefully which includes important information about the installation, usage and maintenance.

- Please keep this User Manual for future consultation. If you sell the fixture to another user, be sure that they also receive this instruction booklet.
- Please unpack and check carefully there is no transportation damage before using the fixture.
- Please disconnect main power before servicing and maintenance.
- The unit must be installed in a location with adequate ventilation, at least 50cm from adjacent surfaces. Be sure that no ventilation slots are blocked.
- The maximum ambient temperature is $T_a: 40^{\circ}\text{C}$. DO NOT operate it where the temperature is higher than this.
- DO NOT connect the device to any dimmer pack.
- The housing must be replaced if they are visibly damaged.
- Unit surface temperature may reach up to 85°C . Don't touch the housing bare-hand during its operation. Turn off the power and allow about 15 minutes for the unit to cool down before replacing or servicing.
- There are no user serviceable parts inside the fixture. Do not open the housing or attempt any repairs by yourself. In the unlikely event your fixture may require service, please contact your nearest dealer.
- In the event of serious operating problem, stop using the fixture immediately. Never try to repair the fixture by yourself. Repairs carried out by unskilled people can lead to damage or malfunction. Please contact the nearest authorized technical assistance center. Always use the same type spare parts.

For AC 220-240V power supply, the maximum fixtures that can be connected on one power cable is 8(including the first fixture) ;
For AC 100~120V power supply, the maximum fixtures that can be connected on one power cable is 4 (including the first fixture).

2. Technical Specifications

- 4 channel Mode switchable : 1 /2 /4 /6 Channel Modes;
 - Dimmer, Strobe;
 - Ideal for discotheques, clubs, bars, parties, Mobile DJs, etc.
-
- **Input Voltage:** AC100V~240V, 50/60Hz
 - **Total Power consumption:** 235W
 - **Beam Angle:** 50°
 - **IP Grade:** IP X4
 - **LED Sources:** 2 x 110W LED
 - **Color Temperature:** BL-200 WW(2700K) BL-200 CW(5000K)
 - **Dimension/Weight:**
400x215.5x200.5mm, 6.8Kg
15.7"x8.4"x7.9" in, 15.0lbs

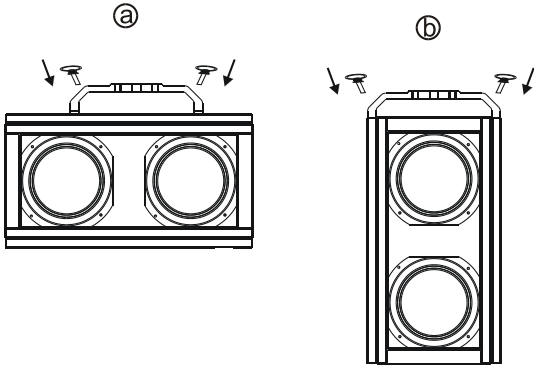


3. Installation and Connection

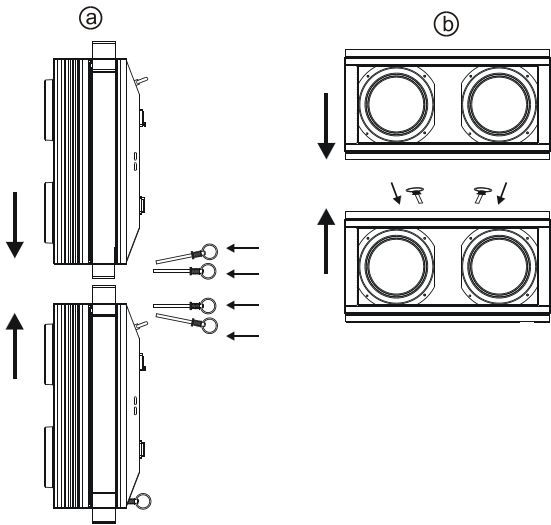
The unit should be mounted via its screw holes on the bracket. Always ensure that the unit is firmly fixed to avoid vibration and slipping while operating. Always ensure that the structure to which you are attaching the unit is secure and is able to support a weight of 10 times of the unit's weight. Also always use a safety cable that can hold 12 times of the weight of the unit when installing the fixture.

The equipment must be fixed by professionals. And it must be fixed at a place where is out of the touch of people and has no one pass by or under it. The unit should be mounted in the height of 0 to 30m.

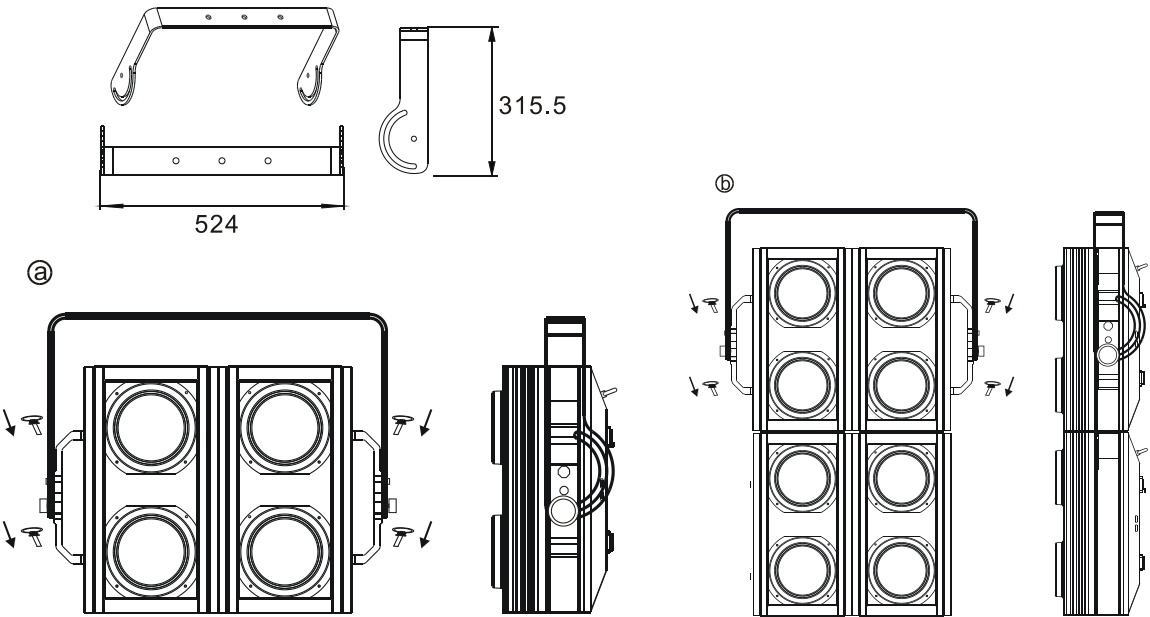
Hanging with Hanging bracket



Fixture Jointing (Between two fixtures)

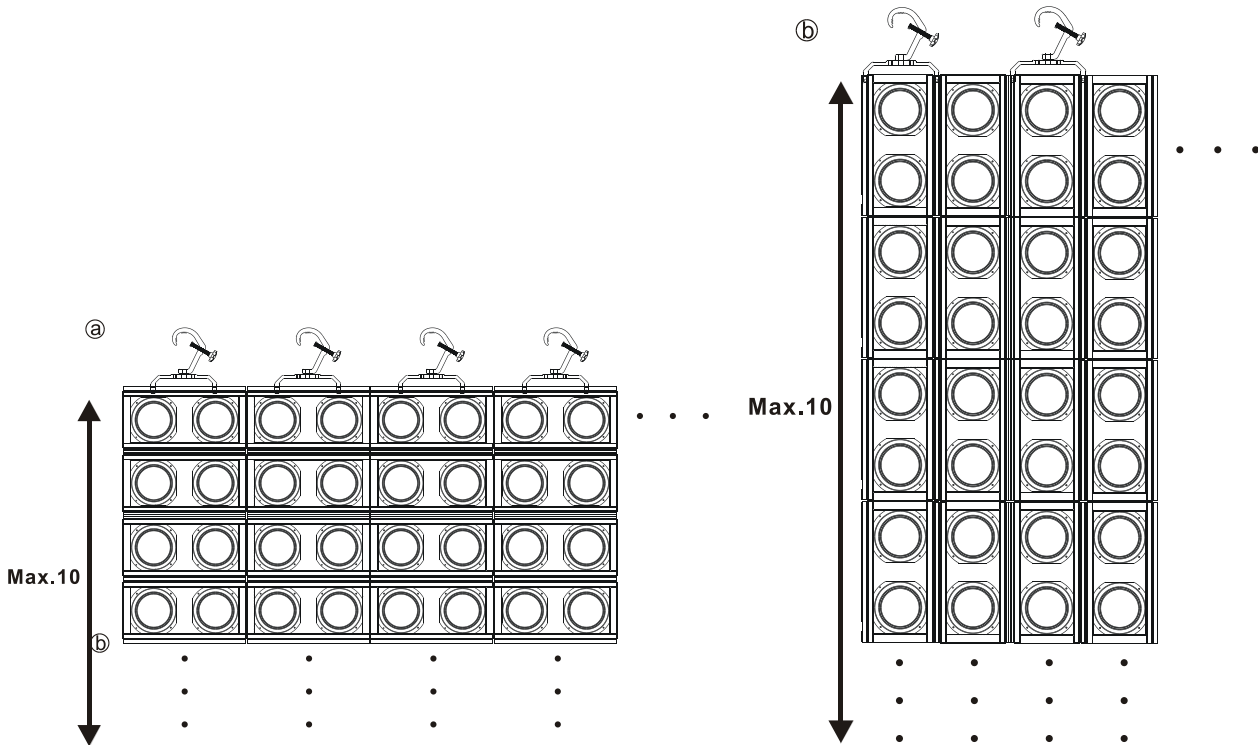


Hanging with Big hanging bracket (Optional)



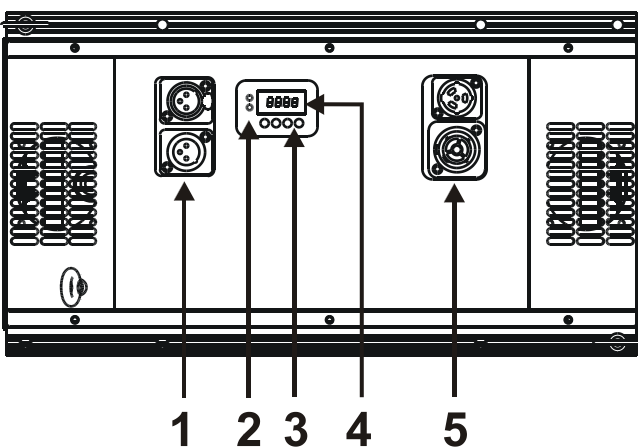
Fixture jointing (Between more than two units)

Warning: Max. load ≤ 10 fixtures vertical.



4. How to set the unit

4.1 Rear Panel



ⓐ DMX input/output:

For DMX512 link, use 3-pin XLR plug cable to input DMX signal, and to link the next unit.

② LED indicator:

POWER	On	Power On
DMX	On	DMX input present

③ Button:

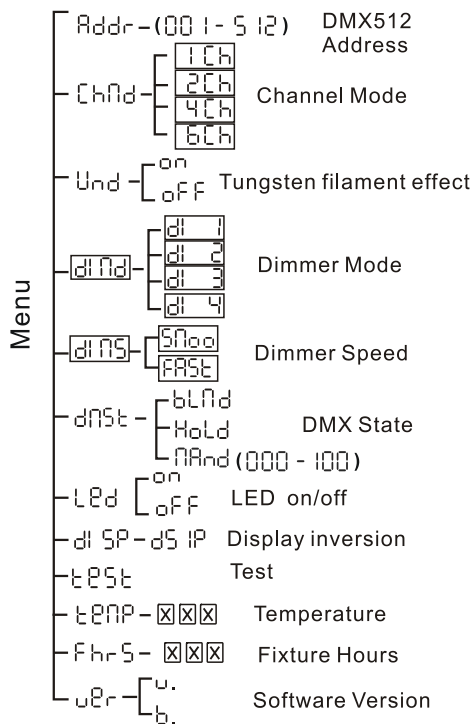
MENU	To select the programming functions
DOWN	To go forward in the selected functions
UP	To go backward in the selected functions
ENTER	To confirm the selected functions

④ Display: Show the various menus and the selected functions;

⑤ Mains input/output:: Use Powercon true one mains connection.

4.2 Main Function

To select any functions, press **MENU** button until the required one is shown on the display. Select the function by **ENTER** button. Use **DOWN** and UP button to change the mode. Once the required mode has been selected, press **ENTER** button to setup or it will return to the main functions without any change after idling 8 seconds automatically. Back to the functions without any change press **MENU** button. The main functions are shown below:



Addr DMX 512 Address Setting

Select the **Addr**, press the **ENTER** button and the display will blink. Use the **DOWN** and **UP** button to change the DMX 512 address (001-512). Once the address has been selected, press the **ENTER** button to setup or exit menu mode without any change after 8 seconds automatically. Back to the previous functions without any change press the **MENU** button.

Chnd Channel Mode

Select the **Chnd**, press the **ENTER** button. Use the **DOWN** and **UP** button to select the channel mode **1Ch** (1 Channel Mode), **2Ch** (2 Channel Mode), **4Ch** (4 Channel Mode), **6Ch** (6 Channel Mode). Once selected, press the **ENTER** button to setup or exit menu mode without any change after 8 seconds automatically. To go back to the functions without any change press the **MENU** button

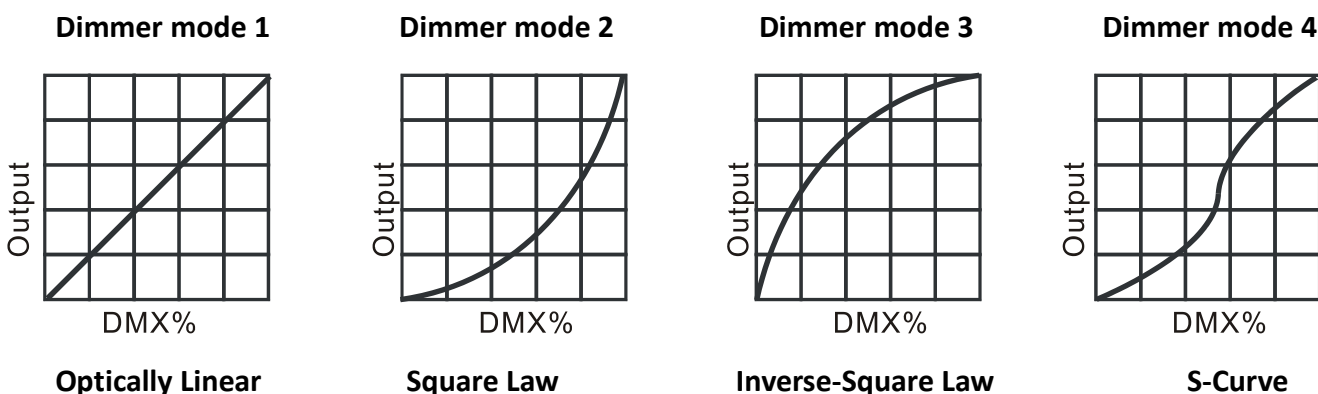
Und Tungsten Filament Effect

Select the **Und**, press the **ENTER** button. Use the **DOWN** and **UP** button to select **on** (the effect will display when the light turn off or move) or **off** (the effect won't display when the light turn off

or move). Once selected, press the **ENTER** button to setup or exit menu mode without any change after 8 seconds. Back to the functions without any change press the **MENU** button again.

di nd Dimmer Mode

Select the **di nd**, press the **ENTER** button. Use the **DOWN** and **UP** button to select **di 1** (Dimmer Mode 1)... **di 4** (Dimmer Mode 4). Once selected, press the **ENTER** button to setup or exit menu mode without any change after 8 seconds. Back to the functions without any change press the **MENU** button again.



Mode 1(Optically Linear): The increase in light intensity appears to be linear as DMX value is increased.

Mode 2(Square Law): Light intensity control is finer at low levels and coarser at high levels.

Mode 3(Inverse Square Law): Light intensity control is coarser at low levels and finer at high levels.

Mode 4(S-cure): Light intensity control is finer at low levels and high levels and coarser at medium levels.

di ns Dimmer Speed

Select the **di ns**, press the **ENTER** button. Use the **DOWN** and **UP** button to select **FAST** (Fast) or **Smooth** (Smooth). Once selected, press the **ENTER** button to setup or exit menu mode without any change after 8 seconds. Back to the functions without any change press the **MENU** button again.

dnst DMX State

Select the **dnSt**, press the **ENTER** button. Use the **DOWN** and **UP** button to select **blnd** (Blackout), **Hold** (Hold the last state) or **nAnd** (Manual mode). Once selected, press the **ENTER** button to setup or exit menu mode without any change after 8 seconds. Back to the functions without any change press the **MENU** button again.

LEd LED Display

Select the **LEd**, press the **ENTER** button. Use the **DOWN** and **UP** button to select **on** (LED display on) or **off** (LED display off, after 30 sec. without any move, display will off again). Once selected, press the **ENTER** button to setup or exit menu mode without any change after 8 seconds automatically. Back to the functions without any change press the **MENU** button again.

di SP Display Inverse

Select the **di SP** **LEd**, press the **ENTER** button. Use the **DOWN** and **UP** button to select **di SP** (Display Normal) 或 **dS IP** (Display Inverse). Once selected, press the **ENTER** button to setup or exit menu mode without any change after 8 seconds automatically. Back to the functions without any change press the **MENU** button again.

tEst Auto Test

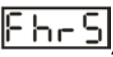
Select the **tEst**, press the **ENTER** button and the unit will run self-test by built-in program. To go back to the functions press the **MENU** button again. Hold and press the **MENU** button about one second or wait for one minute to exit the menu mode.

tENP Temperature Display


Select the **tENP**, press **ENTER** button and the display will show the temperature of each unit **i.XXX**,

. To go back to the functions press the **MENU** button.

 **Fixture Hour**

Select the , press **ENTER** button and the display will show the number of working hours of the unit. To go back to the functions press the **MENU** button.

 **Software Version**

Select the , press **ENTER** button and the display will show the version of software of the unit. To go back to the functions press the **MENU** button.

5. How to control the unit

1. By DMX controller;

No need to turn the unit off when you change the DMX address, as new DMX address setting will be affected at once. Turn on the unit, under the DMX signal , the LED will display the saved channel address (001-512) .

6. DMX512 configuration

Channel Mode:

1Channel Mode

Channel	Value	Function
1	0-255	<input checked="" type="radio"/> <input type="radio"/> Dimmer 0 → 100%

2Channel Mode

Channel	Value	Function
1	0-255	<input checked="" type="radio"/> <input type="radio"/> Dimmer 0 → 100%
2	0-255	<input type="radio"/> <input checked="" type="radio"/> Dimmer 0 → 100%

4Channel Mode

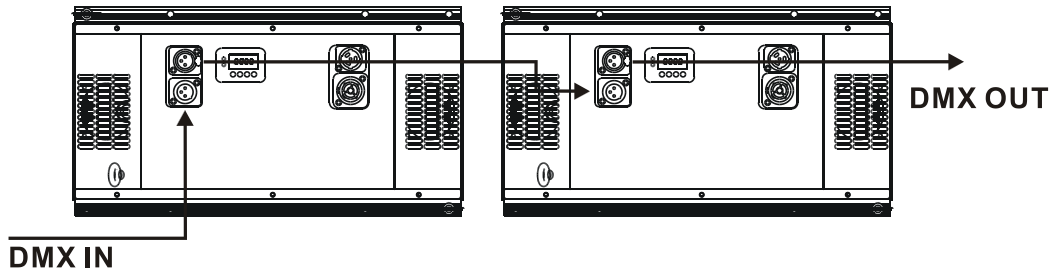
Channel	Value	Function	
1	0-255	<input checked="" type="radio"/> <input type="radio"/> Dimmer 0 → 100%	
2	0-255	<input type="radio"/> <input checked="" type="radio"/> Dimmer 0 → 100%	
3	0-255	<input checked="" type="radio"/> <input type="radio"/> Dimmer 0 → 100%	
4	0-5	Open	Flash
	6-123	Flash Rate, slow to fast	
	124-127	Open	
	128-185	2 LEDs random strobe at the same time	
	186-190	Open	
	191-249	2 LEDs random strobe respectively	
	250-255	Open	

6Channel Mode

Channel	Value	Function	
1	0-255	<input checked="" type="radio"/> <input type="radio"/> Dimming coarse 0 → 100%	
2	0-255	<input checked="" type="radio"/> <input type="radio"/> Dimming fine	
3	0-255	<input type="radio"/> <input checked="" type="radio"/> Dimming coarse 0 → 100%	
4	0-255	<input type="radio"/> <input checked="" type="radio"/> Dimming fine	
5	0-255	<input checked="" type="radio"/> <input type="radio"/> Dimmer 0 → 100%	
6	0-5	Open	Flash
	6-123	Flash Rate, slow to fast	
	124-127	Open	
	128-185	2 LEDs random strobe at the same time	
	186-190	Open	
	191-249	2 LEDs random strobe respectively	
	250-255	Open	

7. DMX512 Connection

Mode connection:



1. Connect the fixture together in a “daisy chain” by XLR plug cable from the output of the fixture to the input of the next fixture. The cable cannot be branched or split to a “Y” cable. Inadequate or damaged cables, soldered joints or corroded connectors can easily distort the signal and shut down the system
2. The DMX output and input connectors are pass-through to maintain the DMX circuit when one of the units’ power is disconnected.
3. At last fixture, the DMX cable has to be terminated with a terminator to reduce signal errors. Solder a 120-ohm 1/4W resistor between pin 2(DMX-) and pin 3(DMX+) into a 3-pin XLR-plug and plug it in the DMX-output of the last fixture.
4. Each lighting fixture needs to have an address set to receive the data sent by the controller. The address number is between 0-511 (usually 0 & 1 are equal to 1).
5. 3 pin XLR connectors:.
3 pin XLR: Pin 1: GND, Pin 2: Negative signal (-), Pin 3: Positive signal (+)

8. Troubleshooting

Following are a few common problems that may occur during operation. Here are some suggestions for easy troubleshooting:

A. The fixture does not work, no light

1. Check the connection of power and main fuse.
2. Measure the mains voltage on the main connector.

B. Not responding to DMX controller

1. DMX LED should be on. If not, check DMX connectors, cables to see if link properly.
2. If the DMX LED is on and no response to the channel, check the address settings and DMX polarity.
3. If you have intermittent DMX signal problems, check the pins on connectors or on PCB of the fixture or the previous one.
4. Try to use another DMX controller.
5. Check if the DMX cables run near or run alongside to high voltage cables that may cause damage or interference to DMX interface circuit.

9. Fixture Cleaning

The cleaning of internal must be carried out periodically to optimize light output. Cleaning frequency depends on the environment in which the fixture operates: damp, smoky or particularly dirty surrounding can cause greater accumulation of dirt on the fixture's optics.

- Clean with soft cloth using normal glass cleaning fluid.
- Always dry the parts carefully.
- Clean the external optics at least every 20 days. Clean the internal optics at least every 30/60 days.

Declaration of Conformity

We declare that our products (lighting equipments) comply with the following specification and bears CE mark in accordance with the provision of the Electromagnetic Compatibility (EMC) Directive 89/336/EEC.

EN55103-1: 2009+A1:2012; EN55103-2: 2009;
EN61000-3-2: 2014; EN61000-3-3: 2013.

&

Harmonized Standard

EN 60598-1:2015; EN 60598-2-17:1989 + A2:1991;
EN 62471:2008; EN 62493: 2010
Safety of household and similar electrical appliances
Part 1: General requirements

The logo for Acme, featuring a stylized 'A' with a diagonal slash, followed by the letters 'cme' in a bold, sans-serif font. A registered trademark symbol (®) is located to the upper right of the 'E'.